

SBYC Wednesday Night Series 2024

Sailing Instructions



1. RULES

- 1.1. Races will be governed by the Racing Rules of Sailing (2021-2024) ([ISAF-RRS](#)), and these Sailing Instructions.
- 1.2. ***All boats shall provide to the race committee a completed registration form. To register, go to the Regatta Network's Event page.***
- 1.3. Updates to a boat's registration information (e.g. contact info, sail #'s, etc...) shall be provided by updating the registration information on Regatta Network.

2. NOTICES TO COMPETITORS

- 2.1. The official Notice Board will be the [Wednesday Night Notice Board page](#) the Sapphire Bay Yacht Club website.

3. CHANGES IN SAILING INSTRUCTIONS

- 3.1. Any changes to these Sailing Instructions will be posted on the Official Notice Boards 24 hours prior to the scheduled start time of the race in which it will take effect.

4. SIGNALS

- 4.1. **All signals shall be announced via radio broadcast**, on Channel 71 (see Section 15 RADIO COMMUNICATION)

5. SCHEDULE OF RACES

- 5.1 Races will be conducted per the schedule posted on the Official Notice Board (see *Section 2 NOTICES TO COMPETITORS*)
- 5.2 Unless agreed to otherwise, and posted in advance, only one race is scheduled per day.

6. FLEET ASSIGNMENTS AND CLASS FLAGS

- 6.1. The fleets designated for each sailing series will be as follows:
 - "A" - boats with PHRF less than 121
 - "B" - boats with PHRF greater than or equal to 121 and less than 212
 - "C" - boats with PHRF greater than or equal to 212
 - "D" - boats with displacement over 6,500 pounds.
 - "E" - boats with novice/casual skippers
- 6.2. A boat that classifies for the "D" AUX fleet may instead race a series with the fleet designated by their PHRF rating (A,B, or C). Any boat may register for "E" Fleet.

SBYC Wednesday Night Series 2024

Sailing Instructions



- 6.2.1 Displacement fleet boats declaring that they wish to sail in the fleet designated by their PHRF rating (A, B, or C) shall notify the scorer prior to the beginning of each series and shall sail the entire series in that fleet.**
- 6.3. There WILL NOT BE a separate fleet designation for the “Main and Jib” boats. “Main and Jib” boats will sail in the fleet designated by Sections 6.1 and 6.2.
- 6.3.1 Boats declaring that they wish to sail as “Main and Jib” (MJ) shall notify the scorer prior to the beginning of each series and shall sail the entire series under main and jib alone.**
- 6.4. Race Committee shall not add any additional fleets to any race or series without prior approval of senior race officers from each club.
- 6.4.1 There will be three starts:
- Start 1: A & B Fleets
 - Start 2: C & D Fleets
 - Start 3: E Fleet
- 6.4.2 At the discretion of the race committee, additional starts may be used.
- 6.5 Start designation:
- 6.5.1 The first starting fleet(s) will be designated as starting class one, represented by the class flag “Numeral 1”.
- 6.5.2 The second starting fleet(s) will be designated as starting class two, by the class flag “Numeral 2”.
- 6.5.3 Additional fleet starts will be designated by corresponding Numeral flags

7. RACING AREA

- 7.1. The racing area is on Lake Ray Hubbard, South of Interstate 30 (see Appendix 2,3: Map - Lake Marks)

8. MARKS

- 8.1. The marks of the course will be the permanent marks/buoys of the lake as described in Appendix A. Each of the marks has been marked with an alpha or numeric designation as shown on the map. GPS coordinates for each of these marks are provided. See Appendix 3: Locations - Lake Marks
- 8.2. In the event that the permanent marks are not used to conduct a race, the Race Committee will post the Come Within Hail flag, and signal the use of other marks. Race Committee will be required to measure and supply the scorer with the relevant distances to the temporary mark.
- 8.3. Missing Mark

SBYC Wednesday Night Series 2024

Sailing Instructions



- 8.3.1 If a support boat is available and able to remain on-station, she may serve as a temporary replacement mark.
- 8.3.2 Otherwise, the race shall be abandoned. If possible, a new start shall be attempted.

9. THE COURSE

- 9.1 The course to be sailed will be designated and announced by the race committee prior to the first warning signal of the day.
- 9.1 Leave all marks to Port.
 - 9.1.1 **Poison Line:** If the start/finish line is a *mid-course line*, then the line will be Closed (boats may not pass through the line while racing, except to start or finish).
- 9.2 **Course Designations:**
 - 9.2.1 **Windward/Leeward Courses:**
 - Windward Mark + W + Number of *Laps*
 - 9.2.2 **Modified Windward/Leeward Courses (Mid-Course Line):**
 - Windward Mark + Leeward Mark + W + Number of Laps
 - 9.2.3 **Courses other than Windward/Leeward**
 - Name the Marks to be *Rounded*, in the order they are to be rounded
 - Do not include the Start/Finish pin.

Sample Course Boards

(Note: Examples use old mark names, but course naming style is still valid.)



A Fleet:

- Windward/Leeward Course
- 18-2 is the Windward Mark
- 2 Laps

B Fleet:

- List of Marks to be rounded
- W/L with different Windward Marks
- Note: S (old 0) is listed when it is a mark to be rounded, but not listed when it is the Start or Finish.

SBYC Wednesday Night Series 2024

Sailing Instructions



A: 18-2 W2

B: 18-2, 0, 18-1

C: 18-1, 12

D: 18-1, 12, 0, 18-1

C Fleet:

- List of Marks to be rounded
- Triangle

D Fleet:

- List of Marks to be rounded
- Triangle plus W/L

A: 9, 27 W3

B: 9, 27 W2

C: 9, 27 W1

D: 9, 27 W2

A Fleet:

- W/L Course, Mid-Course Line
- 9 is the Windward Mark
- 27 is the Leeward Mark
- 3 Laps

B Fleet:

- Same, but only 2 Laps

C Fleet:

- Same, but only 1 Lap

D Fleet:

- Same, but only 2 Laps

10. THE START

10.1 Abandoning a Race

10.1.1 A race will not be abandoned until after its official warning time, with the following exceptions:

10.1.1.1 Forecast unfavorable conditions: the Race Committee (utilizing Go/NoGo reference data) shall notify all racers that the day's race will be abandoned, but shall not make this notification more than 24 hours prior to a day's race.

10.1.1.2 Extraordinary circumstances

10.2 Abandonment more than 3 hours prior to a day's race will be posted on the Official Notice Board (See 2 - Notices to Competitors)

SBYC Wednesday Night Series 2024

Sailing Instructions



- 10.3 All boats shall endeavor to check-in with the Race Committee boat prior to the warning signal of each day's race. Check-in may be done via radio communications with the Race Committee at least 5 minutes prior to the warning signal of the day's race. Race Committee may, at its discretion, waive this requirement for a day's race.
- 10.4 The starting line will be between a staff displaying an orange flag on the committee boat (anchored) at the starboard end and the port end **Starting Mark**, or between the permanent **Starting Mark** and a temporary mark. (see Appendix 1: Courses) When using two marks for the starting line, the committee boat shall be on station at the starboard end of the starting line, at anchor or underway.
 - 10.4.1 The **Starting Mark** will be either Mark S (zero) or Mark 18-1. (see Appendices 2 & 3)
 - 10.4.2 **Starting line length:** It is recommended that the race committee set a starting line of a minimum 600 feet on Wednesday Nights. (Rule of Thumb - start line length should be approximately 1.5 times the total length of all boats in the largest starting fleet).
- 10.5 Race committee shall endeavor to set the line perpendicular to the wind.
- 10.6 Starts will be timed with the club SailBot timer app and horn box. Signal flags will be displayed as prompted by the SailBot app. Sound signals will be generated by the SailBot horn. If possible, sound signals will be transmitted over VHF radio.
- 10.7 Not later than the warning signal, the Race Committee signal boat will display the selected courses on the display board and announce them over the VHF radio.
- 10.8 **Boats whose warning signal has not been made shall avoid the starting area.**
- 10.9 To call attention to the starting sequence, the SailBot start timer will be configured to make a five (5) horn signal one minute before the beginning of the first starting sequence. If used, the Postpone signal flag will be removed at this time.
- 10.10 Races will be started using the signals defined in RRS 26. When more than one start is planned for a day's racing, a rolling start sequence will be used, with the warning signal for each succeeding class made with the starting signal of the preceding class.
- 10.11 A boat starting later than 15 minutes after her starting signal will be scored (DNS), Did Not Start. This changes rule A4.
- 10.12 Races will not be started prior to the scheduled start time.

11 . CHANGE OF COURSE AFTER THE START

- 11.2 Race Committee will only change a course at the **Starting Mark** or other mark of the course.
 - 11.2.1 A Change of Course may only occur prior to the first boat rounding the **Starting Mark** or other mark of the course used for the course change.
- 11.3 The Change of Course will be signaled via radio.
- 11.4 The "+" and "-" symbols will not be used to indicate a course that has been lengthened or shortened. This changes *Racing Rule 33*.
- 11.5 Temporary Marks may be moved without notification.

SBYC Wednesday Night Series 2024

Sailing Instructions



12 . THE FINISH

12.2 The finish line will be between:

12.2.1 A staff displaying an orange flag on the Race Committee boat at the starboard end, and the ***Starting Mark*** or other mark of the course, at the port end.

12.2.2 The ***Starting Mark*** or other mark of the course, and a temporary mark. The race committee boat shall be on the starboard end at anchor or underway taking finishes. At the discretion of the race committee, the finish line may be shortened to a minimum of 100 ft. length.

12.2.3 When two marks are used as the starting line, two marks shall be used as the finish line.

12.2.4 Race Committee shall finish the boats racing as the leading most part of the hull crosses the finish line, per current RRS.

12.2.5 All boats racing, retiring early (not intending to finish), shall notify the Race Committee at its earliest convenience. (See section 16 Safety).

13 . TIME LIMIT

13.2 The time limit for the first boat to finish a Wednesday evening race will be 120 minutes (2 hours) from the start. Any boat not finishing within 150 minutes (2.5 hours) of the start will be scored DNF.

14 . SCORING

14.2 The Low-Point Scoring System, rule A2 will apply.

14.3 The number of throw-outs shall be: starting at 6 Races, add 1 throw out per 3 races.

14.4 Boats scored as DNS, OCS, DNF, or DSQ shall be scored points for the finishing place, one more than the number of boats entered in the days race. (DNS shall only be scored for those boats that endeavored to come to the starting area).

14.5 Boats scored as DNC shall be scored points for the finishing place, one more than the number of boats entered in her fleet for the series.

14.6 Scoring for Race Committee:

14.6.1 A boat serving Race Committee duty shall receive for that race a score equal to the average of scores they received for other races in that series, for one race. Additional races served as Race Committee duty in that series shall be scored DNS.

14.6.2 A boat serving Race Committee duty shall be scored as RC.

14.7 A boat that makes contact with the Race Committee boat shall be scored as DSQ. This changes *Racing Rules 63.1 and/or A5*.

SBYC Wednesday Night Series 2024

Sailing Instructions



15 . PROTESTS

- 15.2 The Protest Time Limit is 24 hours from the first warning signal of the night.
- 15.3 Protest Forms shall be filed (in person or attached to an email) with an officer of SBYC.

16 . RADIO COMMUNICATION

- 16.2 The race committee will monitor VHF channels 16 and 71. All communications with the race committee should be done on channel 71, or by check-in. All communications after the start of the race should be made via VHF radio so that the information is shared by all competitors. After acknowledged contact on VHF channel 16, the race committee will direct the hailing boat to switch to channel 71.
 - 16.2.1 In case of an emergency, a vessel in distress should hail on Marine VHF channel 16. If you are unable to the appropriate authorities or Race Committee, consider attempting to hail Race Committee on channel 71 and channel 16. Repeat sequence as necessary.
- 16.3 Radio communications with the race committee during the starting sequence is discouraged, and will only be answered at the discretion of the race committee, or in the event of an emergency.
- 16.4 The race committee will endeavor to hail individual recalls. Hails will also be broadcast on VHF channel 71.

NOTE: DON'T FORGET to bring your VHF RADIO. Race Committee will use channel 71 to radio information to the competitors before and during the start sequence. Race Committee will radio the fleet on channel 71 as to the course for the day's race. Also, monitor channel 71 for course changes, and as a means to "stay connected" to the fleet during the race, and in case any boat radios a distress message. If you do not have a working VHF radio, arrive early enough to check in with the Race Committee to receive the course.

17 . SAFETY, ASSUMPTION OF RISK AND RELEASE

- 17.2 It shall be the sole responsibility of each yacht to decide whether or not to start or continue a race.
- 17.3 All boats participating are asked to check in with the committee boat prior to the Warning signals of each race.
- 17.4 A yacht that retires from a race shall attempt to notify the race committee before leaving the course area. See 15 Radio Communications.
- 17.5 Competitors participate in each racing series entirely at their own risk. See Racing Rules of Sailing (2021-2024) rule 3, Decision to Race. The organizing authority will not accept liability for material damage or personal injury or death sustained in conjunction with, or prior to, during or after the racing.

SBYC Wednesday Night Series 2024

Sailing Instructions



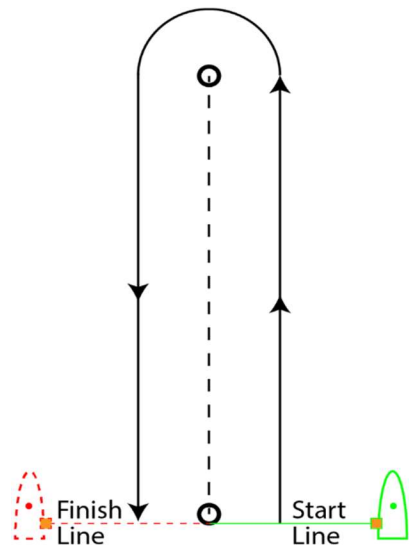
- 17.6 To the fullest extent permitted by law, participants waive any rights they may have to sue the race organizers (organizing authority, race committee, protest committee, host club, sponsors, or any other organization or official) involved with the event with respect to personal injury or property damage suffered by the participant or their crew as a result of participation in this event and release the race organizers from any liability for such injury or damage.
- 17.7 Other Misc Safety Information:
BE AWARE: All competing boats should already have an emergency plan in place to immediately retrieve a crew person who inadvertently falls overboard. All boats within close proximity to this type of emergency should be prepared to render aid.

SBYC Wednesday Night Series 2024

Sailing Instructions

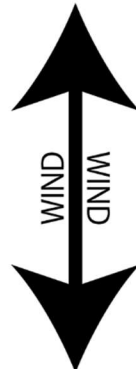


Appendix 1: Courses

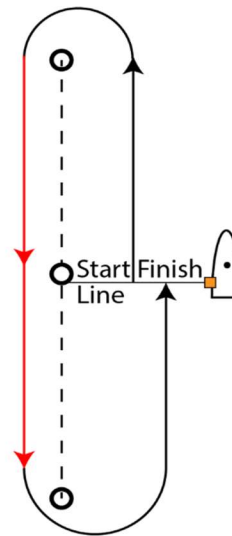


W1
Windward/Leeward
1 Lap

Downwind Start

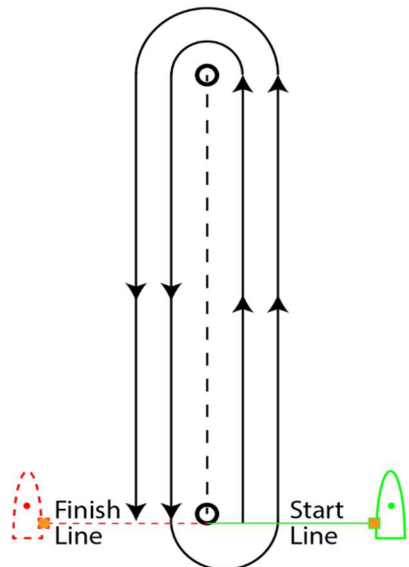


Upwind Start

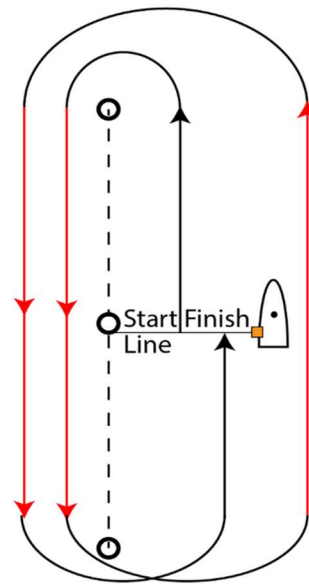


WM1
Windward/Leeward
Mid-Course Line
1 Lap

These legs can pass to either side of the Start/Finish Line, but **not through** it



W2
Windward/Leeward
2 Laps



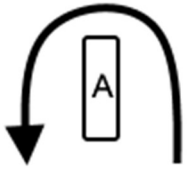
WM2
Windward/Leeward
Mid-Course Line
2 Laps

SBYC Wednesday Night Series 2024

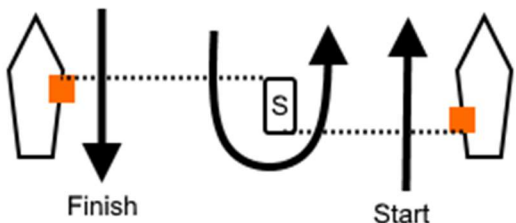
Sailing Instructions

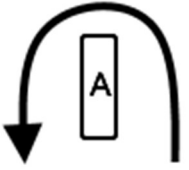


Appendix 1: Courses

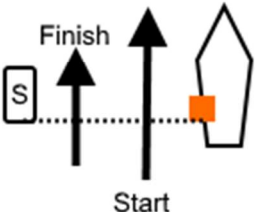


Windward/Leeward Course	
A W1	Start-A-Finish
A W2	Start-A-S-A-Finish
A W3	Start-A-S-A-S-A-Finish

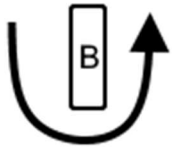




Windward/Leeward Course Mid-Course Line	
A,B W1	Start-A-B-Finish
A,B W2	Start-A-B-A-B-Finish
A,B W3	Start-A-B-A-B-A-B-Finish



Windward/Leeward Course,
Mid-Course Line



SBYC Wednesday Night Series 2024

Sailing Instructions



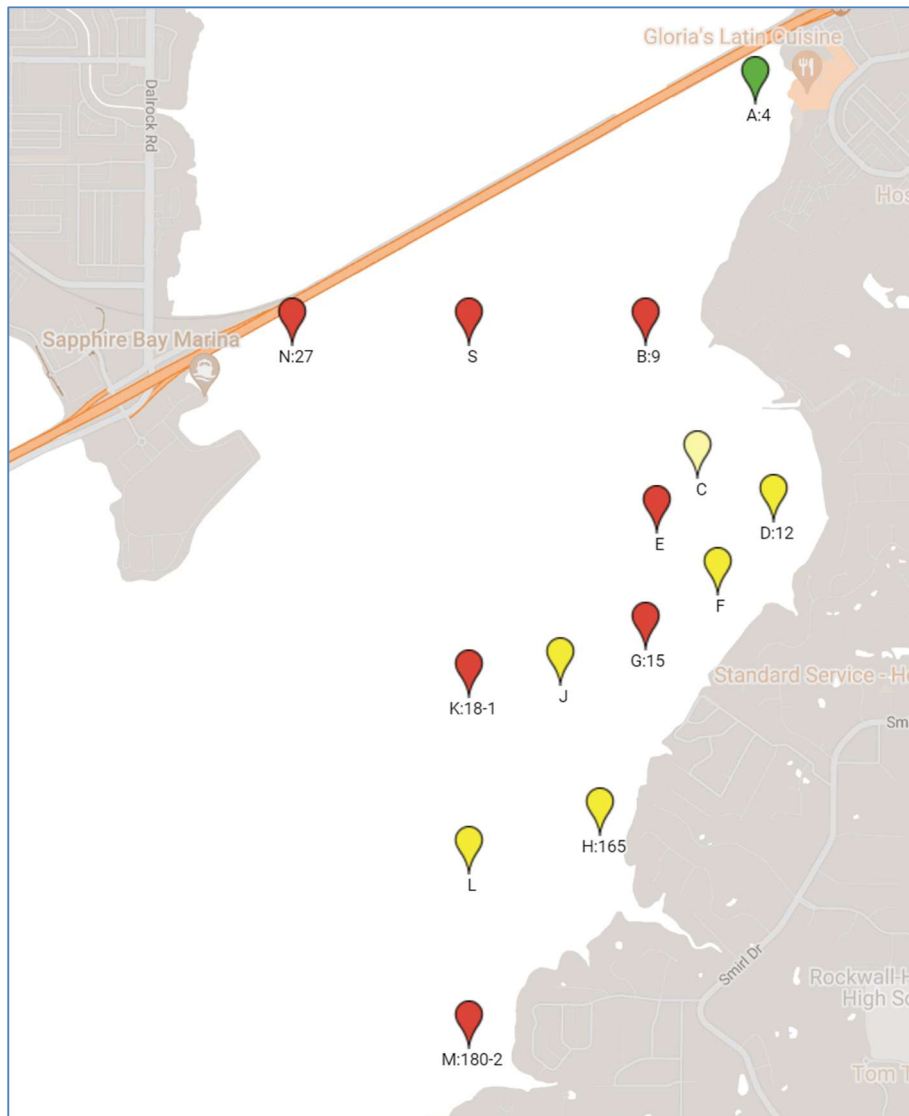
Appendix 2: Lake Marks - Map

Changes for 2024

To improve both W/L and triangle race courses and to move marks out from wind holes along the shore, several changes will be made to our traditional mark locations. Mark 12 will be moved to a new location at 135 degrees (E), Mark 165 will not be reinstated, and marks will be renamed with letters to better fit on the committee boat course board. The letter 'X' will indicate a temporary mark on the course board.

Mark Map

Red locations are fixed marks with SBYC buoys. The Green location is an existing red ball near The Harbor docks. Yellow locations are “virtual” marks with predefined locations which can be used during regattas with temporary marks.



SBYC Wednesday Night Series 2024

Sailing Instructions



Appendix 3: Lake Marks - Locations

Letter Name	Old Name	Description	Latitude	Longitude	Bearing from 0		Distance from 0
					Magnetic	True	nm
S	0	std	32.878133	96.500300	-	-	-
A	4	red sphere	32.889618	96.484169	47.1	49.7	1.07
B	9	std	32.878133	96.490384	87.4	90.0	0.50
C		virtual	32.871887	96.487420	117.4	120.0	0.75
D	12	virtual	32.869804	96.483127	117.4	120.0	1.00
E		std	32.869300	96.489784	132.4	135.0	0.75
F		virtual	32.866355	96.486279	132.4	135.0	1.00
G	15	std	32.863709	96.490386	147.4	150.0	1.00
H	165	virtual	32.854966	96.492911	162.4	165.0	1.44
J		virtual	32.862045	96.495168	162.4	165.0	1.00
K	18-1	std	32.861478	96.500300	177.4	180.0	1.00
L		virtual	32.853150	96.500300	177.4	180.0	1.50
M	18-2	std	32.844822	96.500300	177.4	180.0	2.00
N	27	std	32.878133	96.510216	267.4	270.0	0.50
X		inflatable	tbd	tbd	tbd	tbd	tbd