



**Neuse Yacht Racing Association
2025 Invitational Regatta
March 22-23**

SAILING INSTRUCTIONS

The Neuse Yacht Racing Association is the Organizing Authority for this event.
Blackbeard Sailing Club is the Host Venue.

Section A applies to all competitors

Section B applies to Spinnaker and Non-Spinnaker classes

Section C applies to the Navigator Fleet

SECTION A

1 MANAGEMENT AND RULES

- 1.1 The Regatta will be governed by the Racing Rules of Sailing including the prescriptions of US Sailing, and the Notice of Race, except as altered by these sailing instructions.
- 1.2 All boats shall comply with NC Wildlife Commission and US Coast Guard Required Equipment for Recreational Vessels.
- 1.3 RRS Appendix T – Arbitration applies
- 1.4 RRS Appendix V section V1 applies.
- 1.5 Navigator Fleet eligibility – see Section C

2 NOTICES TO COMPETITORS

All notices to competitors will be posted on the official bulletin board on Regatta Network.

3 CHANGES TO SAILING INSTRUCTIONS

- 3.1 Changes to sailing instructions, if any, will be posted on the official bulletin board.
- 3.2 Verbal changes may be made on the water. They will be communicated by VHF radio on channel 78A and shall be acknowledged by each vessel.

4 RADIO COMMUNICATIONS

- 4.1 The R/C will monitor and attempt to broadcast on **channel 78A**.
- 4.2 Failure of the R/C to make announcements, the order of announcements including OCS calls, or the failure of the competitor to hear the announcements shall not be grounds for redress.

5 CLASSES

- 5.1 Anticipated fleets are Spinnaker, Non-Spinnaker, and Navigator. See appropriate Section.
- 5.2 With sufficient entries, the Spinnaker and Non-spinnaker Fleets may be divided into Classes.
- 5.3 There will be no class splits in the Navigator Fleet.

6 SCHEDULE

Saturday, March 22

- 0900 Competitors meeting at Blackbeard
- 1055 First signal
- 1530 No races will be started after this time
- 1730 Shore Party

Sunday, March 23

0955 First signal

1430 No Races will be started after this time
Awards as soon as practical after racing.

7 THE COURSES

7.1 Race courses will be located on the Neuse River southerly of Duck Creek and in the general vicinity of Broad and Northwest Creeks.

7.2 For course details, see Section B or C

8 MARKS

For descriptions of marks, see Section B (Spin & Non-spin) or C (Navigator)

9 START

For descriptions of the Start, see Section B (Spin & Non-spin) or C (Navigator)

10 FINISH

For descriptions of the Finish, see Section B (Spin & Non-spin) or C (Navigator)

11 TIME LIMIT

For descriptions of the Finish, see Section B (Spin & Non-spin) or C (Navigator)

12 SCORING

For descriptions of the Finish, see Section B (Spin & Non-spin) or C (Navigator)

13 AWARDS

Awards will be presented as soon as practical after racing.

SECTION B

This Section applies to the Spinnaker and Non-spinnaker Classes

7 COURSES

7.2 Courses for Saturday will be Windward/ Leeward and/or Triangular. See Course Diagram B

7.3 Course selection and the number of laps to be sailed, will be displayed on a course board on the starboard side of the Signal Boat.

7.4 On Sunday the course will be a medium distance race. Description will be announced 15 minutes before the warning signal.

8 MARKS

8.1 The Weather mark will be a 5' orange tetrahedron. The Weather change mark will be a 5' yellow tetrahedron.

8.2 The Leeward mark will be a 5' orange tetrahedron and may be set to leeward or to windward of the Signal Boat, dependent on course selection.

9 START

9.1 The Start line will be between the staff flying an orange flag on the signal boat at the starboard end and the course side of an orange inflatable on the port end.

9.2 Saturday races will be started according to Rule 26 with class flag as follows:

Spinnaker	Red
Non-Spinnaker	White

9.3 Sunday's race will have a pursuit start or a modified pursuit start depending on the number of entrants in each Class. See Section C item 9 for change in start sequence.

10 FINISH

10.1 The Finish line will be between a staff flying a blue flag on the signal boat at one end and the course side of an orange inflatable on the other end. See Course Exhibit B.

10.2 Flag "A" displayed, with no sound, as boats are finishing means 'No more racing today'

11 TIME LIMIT

11.1 On Saturday, the time limit for the first boat to sail the course and finish is 75 minutes. Other boats must finish within 15 minutes of the first boat and sail the course and finish (finishing window), or will be scored TLE with 2 points more than the last boat to finish. This modifies Rule A5.2 and adds to Rule A10.

11.2 There will be no time limit for Sunday's pursuit race.

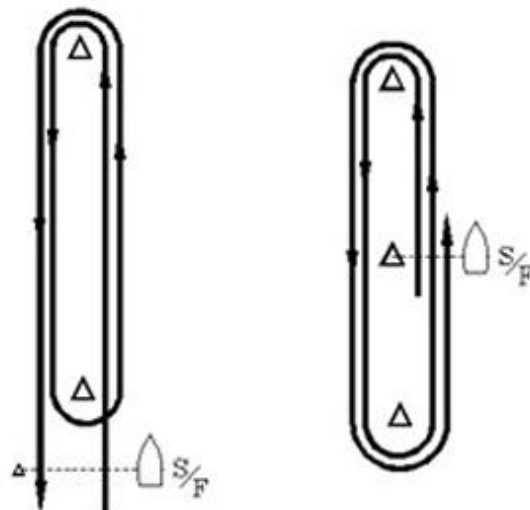
12 SCORING

12.1 The Low Point System of Appendix A is changed such that if less than 4 races are completed no scores will be excluded.

12.2 Corrected times will be derived using PHRF Time-on-Time computation.

12.3 Four or more races are intended; one completed race will constitute the Regatta.

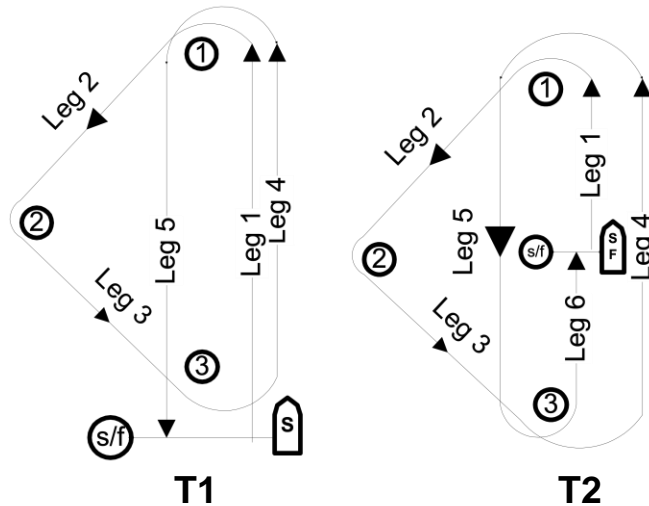
Course Diagrams B



W1- #

W2-#

= number of laps



SECTION C

This Section applies to the Navigator Fleet

1 MANAGEMENT AND RULES

1.5 Navigator Fleet eligibility

To be eligible to race in this class all boats shall meet the following criteria:

- 1.5.1 No boats specifically designed for racing are eligible.
- 1.5.2 Powered winches may be used without penalty.
- 1.5.3 Two of the following additional requirements must be met:
 - a. Pulpit mounted anchor or windlass is in place;
 - b. Dodger or Bimini, if any, in place;
 - c. The youngest sail used is at least 5 years old; and
 - d. Bottom paint at least three years old.

7 COURSES

- 7.2 The Navigator Fleet will sail a medium distance race with a modified pursuit start on each day.
- 7.3 Rating bands and start times will be posted to Regatta Network by 2000 the night before the race.
- 7.4 The course to be sailed will be selected from the Standard Pursuit Courses and will depend on the forecasted wind speed and direction. See Standard Pursuit Courses attached.
- 7.5 The course selection will be announced on VHF channel 78A 15 minutes before the warning signal.

9 START

- 9.1 The first boat, or rating band of boats, will have a Rule 26 starting sequence.
- 9.2 Subsequent rating bands of boats will follow at intervals of 5 minutes.
- 9.3 The **Green** class flag will be raised one minute before each start and will be dropped at each start. This changes Rule 26.

10 FINISH

- 10.1 On Saturday the finish line will be between a staff flying a yellow flag on the starboard side of the Signal Boat and a nearby yellow mark.
- 10.2 On Sunday the finish line will be between the staff flying a blue flag on the Signal Boat on one end and the course side of an orange inflatable on the opposite end.

11 TIME LIMIT

There is no time limit for the Navigator Fleet.

12 SCORING

12.1 Each boat's finish time will be recorded.

12.2 Corrected times will be derived using PHRF time-on-distance calculation.

Standard Pursuit Courses

Approximate Start Location

Lat 35 02.4, Long 076 58.39

#	Wind Direction	Wind Range							Nautical Miles	
1	0	5-9	start	W	22	F			5.9	
2	0	10-14	start	W	22	13	F		9.2	
3	0	15-20	start	W	2	17	11	22	F	13.6
4	30	5-9	start	N1	2	17	15	F		5.5
5	30	10-14	start	W	22	13	F			10.9
6	30	15-20	start	W	22	11	F			12.4
7	60	5-9	start	2	17	13	F			6.1
8	60	10-14	start	W	26	13	F			11.1
9	60	15-20	start	W	26	15	F			12.5
10	90	5-9	start	W	26	F				7.0
11	90	10-14	start	W	22	13	F			10.8
12	90	15-20	start	W	22	11	F			12.3
13	120	5-9	start	W	17	11	F			6.3
14	120	10-14	start	W	22	15	F			10.1
15	120	15-20	start	W	22	11	F			12.5
16	150	5-9	start	11	F					5.8
17	150	10-14	start	13	22	F				10.2
18	150	15-20	start	11	17	2	22	F		12.5
19	180	5-9	start	17	11	F				5.9
20	180	10-14	start	13	22	F				10.0
21	180	15-20	start	11	22	F				11.5
22	210	5-9	start	W	17	2	N1	F		4.5
23	210	10-14	start	17	13	22	F			10.1
24	210	15-20	start	17	11	22	F			11.6
25	240	5-9	start	26	F					6.2
26	240	10-14	start	W	13	22	F			10.6
27	240	15-20	start	W	11	22	F			12.0
28	270	5-9	start	22	26	F				6.3
29	270	10-14	start	W	15	22	F			9.9
30	270	15-20	start	W	11	22	F			12.3
31	300	5-9	start	11	F					5.8
32	300	10-14	start	22	13	F				10.1
33	300	15-20	start	26	11	F				11.9
34	330	5-9	start	22	F					5.8
35	330	10-14	start	22	13	F				10.1
36	330	15-20	start	26	11	F				11.9

Code: Marks in **Red** leave to Port
 Marks in **Green** leave to Starboard
 W represents a mark set to windward of the start location & distant .53nm
 Numbers are fixed marks of the Neuse River